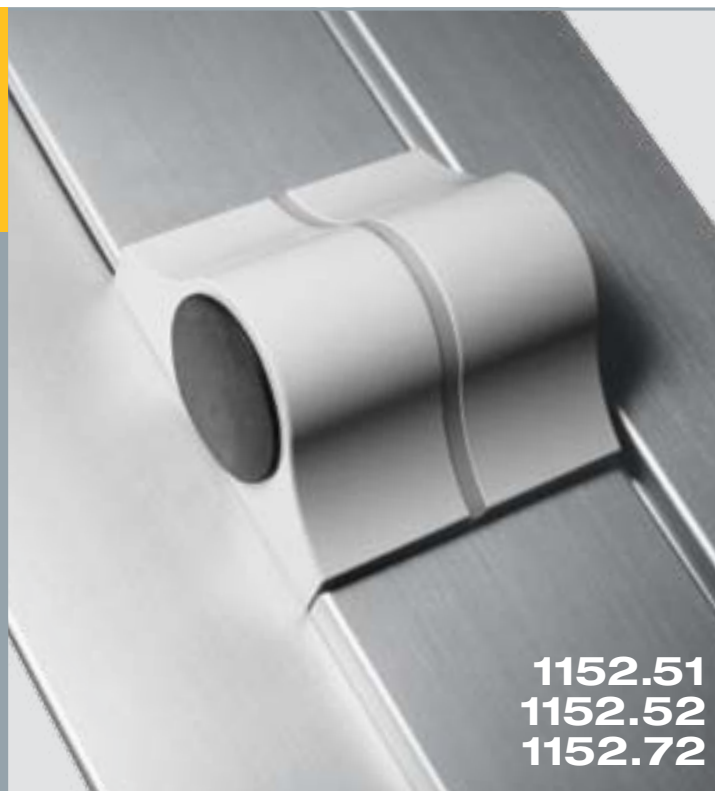


## PIVOTY

### new hinges for vertical pivot windows

#### MAIN FEATURES:

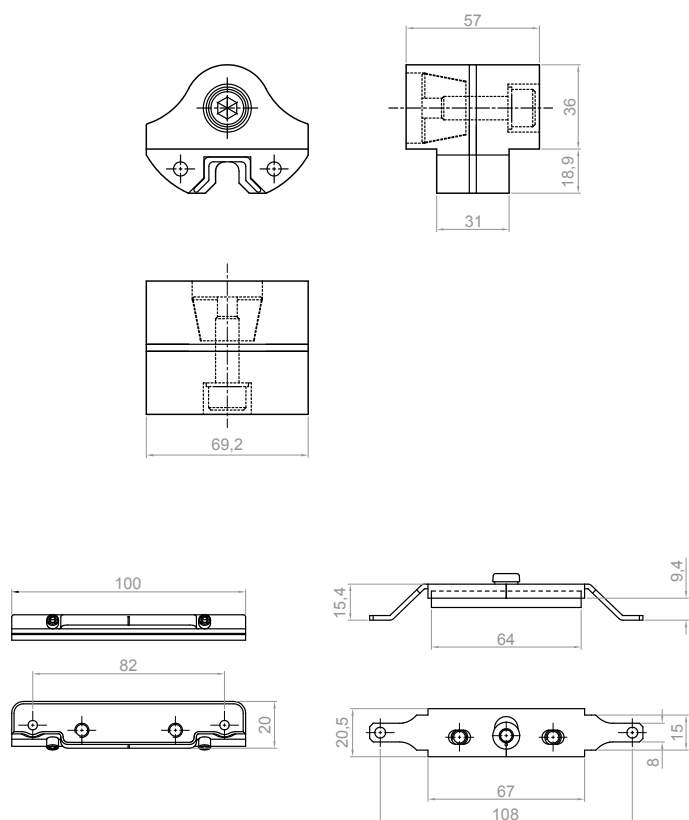
- Same features of the PIVOTY hinges with horizontal axis
- A sealed ball bearing in the bottom hinge
- Large application field:  
L = 1600 x H = 2000 mm
- Weight capacity up to 120 Kg.



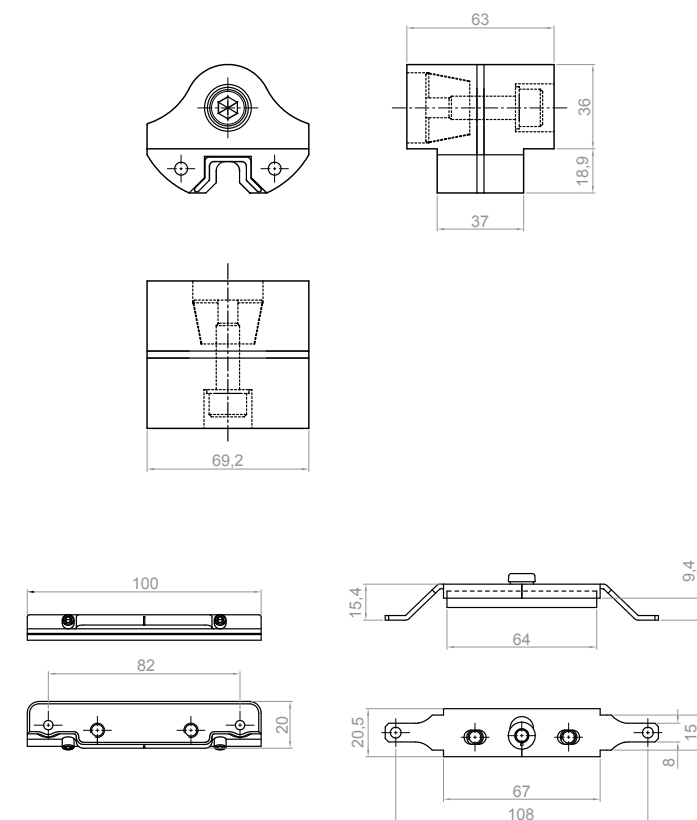
**1152.51**  
**1152.52**  
**1152.72**

#### TECHNICAL DRAWINGS

1152.51



1152.52

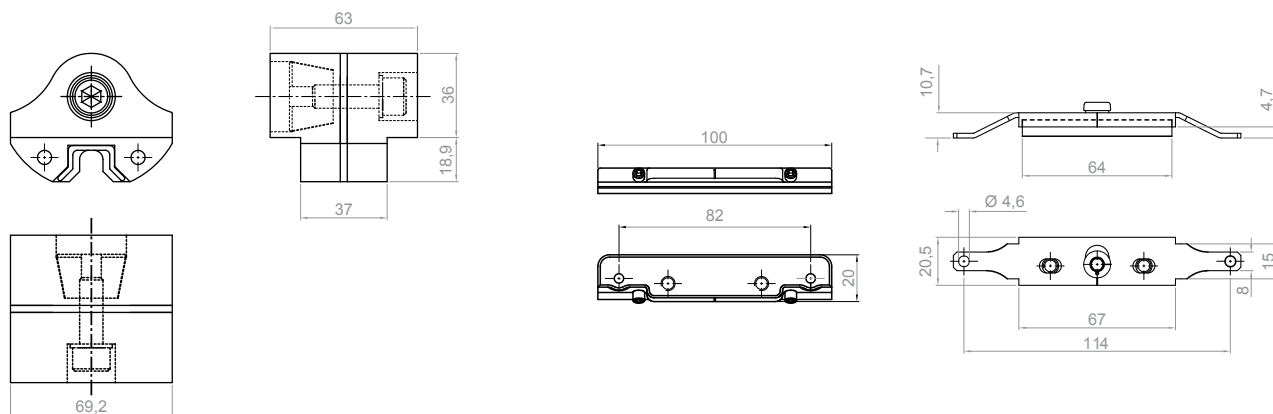


## PIVOTY

new hinges for vertical pivot windows

1152.51  
1152.52  
1152.72

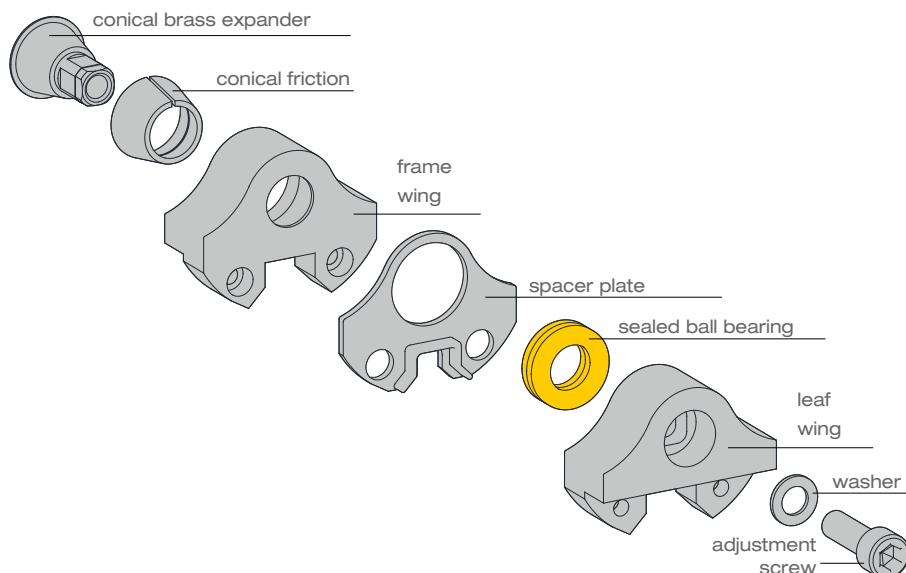
1152.72



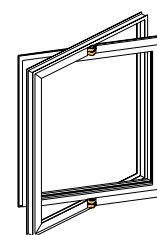
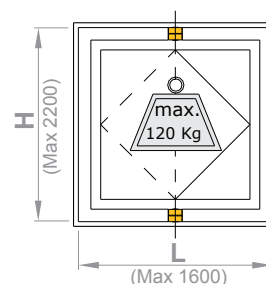
## BOTTOM HINGE

The bottom hinge is equipped with a **thrust-type ball bearing** that supports the weight of the leaf. The weight capacity is therefore 120 kg, instead of the 80 kg of the standard version.

The friction system is adjusted by means of the screw.



## APPLICATION FIELD



vertical axis

**Vertical axis:**  
Leaf max weight capacity = 120 Kg  
Max width = 1600 mm  
Max height = 2200 mm

ARTICLE	NAME	DESCRIPTION	FINISHING	PCS.
1152.51	PIVOTY	(patented) Pair of pivot hinges for vertical pivot windows	1013,9010, C,F,NE	2
1152.52	PIVOTY	(patented) Pair of pivot hinges for vertical pivot windows	1013,9010, C,F,NE	2
1152.72	PIVOTY	(patented) Pair of pivot hinges for vertical pivot windows	1013,9010, C,F,NE	2